

SAN**CERAMICA**[®]

ULTRA **QUIET** FLUSH™

Straight Ultra Quiet Flush Rimless Wall-Faced Toilet Pan



Description

Straight Wall-Faced Toilet Pan

Elegant, ultra quiet rimless design makes for easy cleaning and a perfect flush every time. Married perfectly with a Geberit button and in-wall cistern, also includes slimline seat with a soft-close and quick-release function.

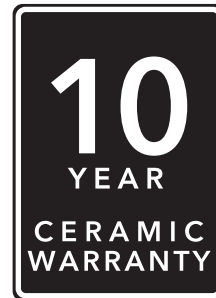
Trap Set Out

S-Trap Set Out: 100-110mm

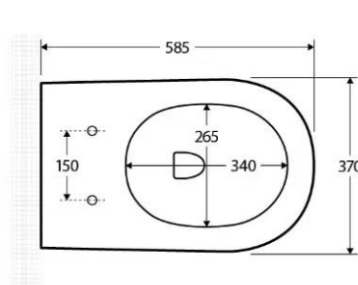
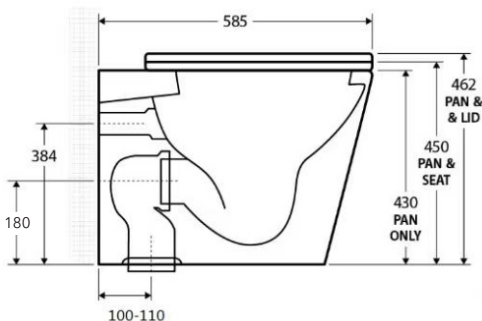
P-Trap Set Out: 180mm

Inlet Type: In-Wall Cistern

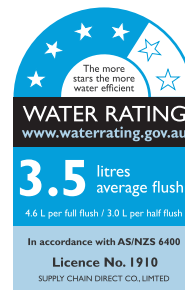
Recommended Cistern: Geberit Sigma8



Technical Drawings



WELS Rating



Avg Flush: 3.5L

Full Flush: 4.6L

Half Flush: 3.0L

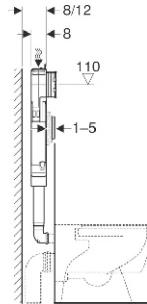
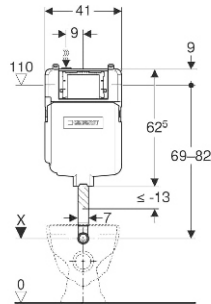
Registration

No: L07709

Package
Options

- SC-STRUQ-WFP-1.1** / Straight Ultra Quiet Pan + Geberit Sigma8 & Sigma 20 Chrome F/Plate
- SC-STRUQ-WFP-1.2** / Straight Ultra Quiet Pan + Geberit Sigma8 & Sigma 20 Matt Black F/Plate
- SC-STRUQ-WFP-1.3** / Straight Ultra Quiet Pan + Geberit Sigma8 & Sigma 30 Chrome F/Plate
- SC-STRUQ-WFP-1.4** / Straight Ultra Quiet Pan + Geberit Sigma8 & Sigma 30 Matt Black F/Plate
- SC-STRUQ-WFP-1.5** / Straight Ultra Quiet Pan + Geberit Sigma8 & Sigma 20 Matt White F/Plate
- SC-STRUQ-WFP-1.6** / Straight Ultra Quiet Pan + Geberit Sigma8 & Sigma 20 Brushed Stainless F/Plate
- SC-STRUQWFPGWNP** / Straight Ultra Quiet Pan + Geberit Sigma8 with No Flush Plate

Geberit Sigma concealed cistern 8 cm, 4.5 / 3 litres



APPLICATION PURPOSES

- For drywall construction
- For installation in part or room-height prewall installations
- For installation in room-height installation walls
- For floor-standing WCs
- For single flush, dual flush or stop-and-go flush

CHARACTERISTICS

- Range 2016
- Concealed cistern with front actuation
- Concealed cistern, fully insulated against condensation
- Cistern fulfils standard requirements in accordance with AS 1172.2:2004
- Immediate post flush possible with factory setting
- Flush bend fitted

- Tool-free installation and maintenance work on concealed cistern
- Water supply connection on the top left
- Water supply connection, dezincification-resistant
- Protection cover box for service opening protects against moisture and dirt
- Protection box for service opening can be cut to length, suitable for surface-even actuator plates

TECHNICAL DATA

Flow pressure	10–1000 kPa
Operating temperature, water max.	25 °C
Flush volume, factory setting	4.5 / 3 l
Flush volume large, adjustment range	4.5 / 6 / 7.5 l

Flush volume small, adjustment range	3–4 l
Product material	Plastic

SCOPE OF DELIVERY

- Water supply connection R 1/2", compatible with MasterFix and MeplaFix, with integrated angle stop valve and hand wheel
- Protection box for service opening
- Flush bend 90°
- Flush bend extension, ø 45 mm
- Fastening for flush bend
- 2 sleeves made of EPDM
- Protection plug
- Fastening material for drywall

Art. no.	B cm	H cm	T cm
109.795.00.1	41	62.5	8